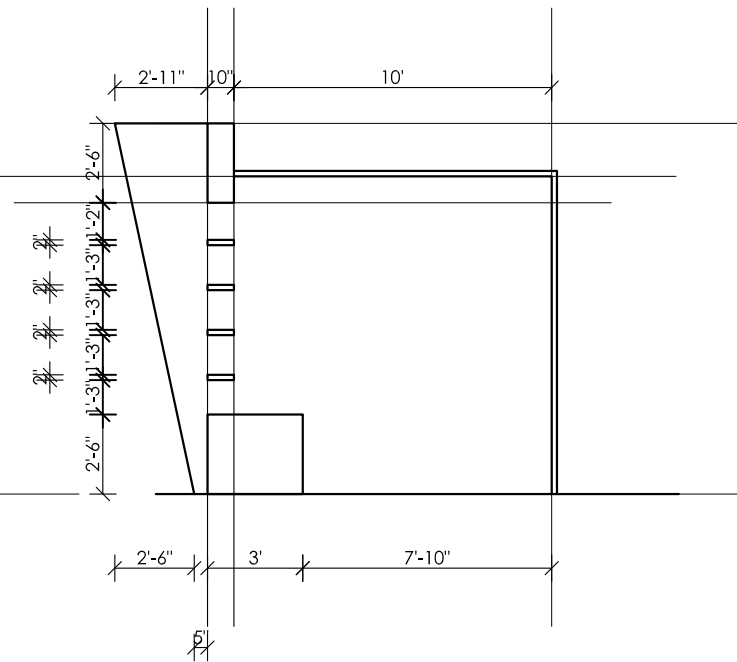
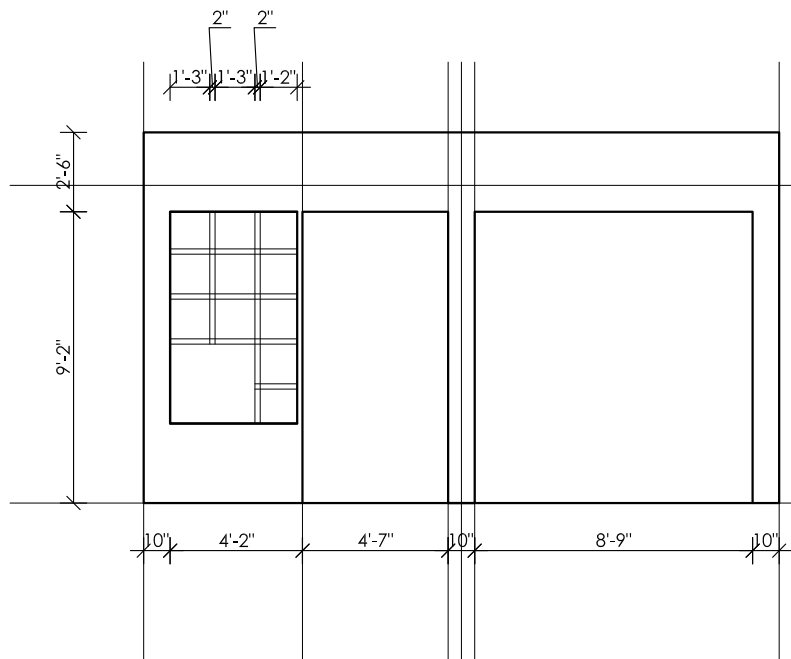
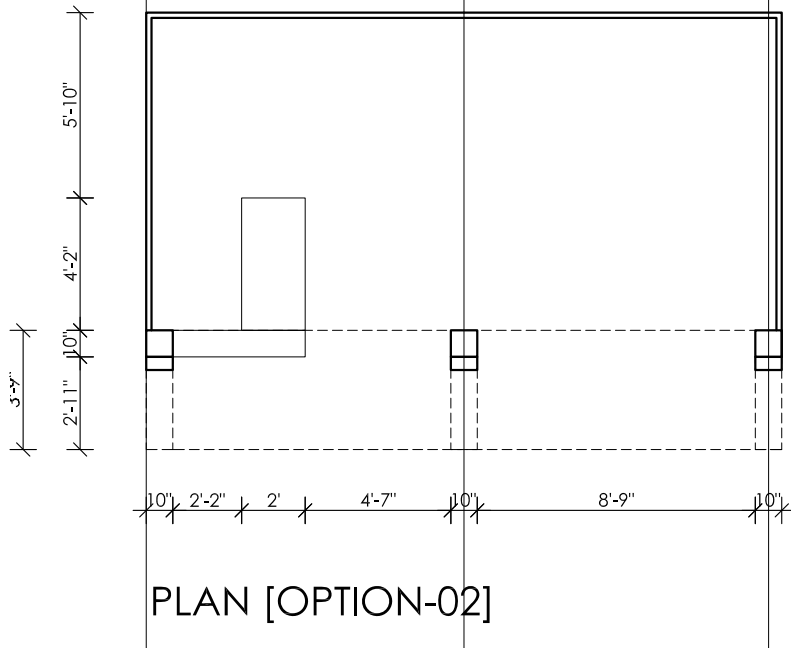


## OPTION-02



**Note:** 1. Partex Board with Gorjon Frame and White Enamel Paint.  
 1. Program name is placed at the top of the frame, only in lettering by board / cock sheet.